

S4D30120A/S4D30120F 1200V SIC POWER SCHOTTKY RECTIFIERS

Description




This 1200V 30A diode is a high voltage Schottky rectifier that has very low total conduction losses and very stable switching characteristics over temperature extremes. The S4D30120A/S4D30120F is ideal for energy sensitive high frequency applications in challenging environments.

Features

- 175°C T_J operation
- Ultra-low switching loss
- Switching speeds independent of operating temperature
- Low total conduction losses
- High forward surge current capability
- High package isolation voltage
- Terminals finish: 100% Pure Tin
- “-A” is an AEC-Q101 qualified device
- Pb – Free Device
- All SMC parts are traceable to the wafer lot
- Additional electrical and life testing can be performed upon request

Applications

- Alternative energy inverters
- Power Factor Correction (PFC)
- Free-Wheeling diodes
- Switching supply output rectification
- Reverse polarity protection

<p>S4D30120A</p> 	<p>S4D30120F</p> 
<p>TO-220AC (TO-220-2)</p>	<p>ITO-220AC (TO-220MF-2L)</p>
	

Maximum Ratings:

Characteristics	Symbol	Condition	Max.	Units
Peak Repetitive Reverse Voltage	V_{RRM}	-		
Working Peak Reverse Voltage	V_{RWM}		1200	V
DC Blocking Voltage	V_R			
Average Rectified Forward Current	$I_{F(AV)1}$	$T_C = 25^\circ\text{C}$	94	A
	$I_{F(AV)2}$	$T_C = 155^\circ\text{C}$	30	A
Peak One Cycle Non-Repetitive Surge Current	I_{FSM1}	10ms, Half Sine pulse, $T_C = 25^\circ\text{C}$	300	A
	I_{FSM2}	10ms, Half Sine pulse, $T_C = 110^\circ\text{C}$	246	A
Repetitive Peak Forward Surge Current	I_{FRM1}	10ms, Half Sine pulse, $T_C = 25^\circ\text{C}$	121	A
	I_{FRM2}	10ms, Half Sine pulse, $T_C = 110^\circ\text{C}$	68	A
Power Dissipation	P_{tot1}	$T_C = 25^\circ\text{C}$	441	W
	P_{tot2}	$T_C = 110^\circ\text{C}$	191	W

Electrical Characteristics:

Characteristics	Symbol	Condition	Typ.	Max.	Units
Forward Voltage Drop*	V_{F1}	@ 30A, Pulse, $T_J = 25^\circ\text{C}$	1.5	1.8	V
	V_{F2}	@ 30A, Pulse, $T_J = 175^\circ\text{C}$	2.2	3.0	V
Reverse Current*	I_{R1}	@ $V_R = \text{rated } V_R, T_J = 25^\circ\text{C}$	1	20	μA
	I_{R2}	@ $V_R = \text{rated } V_R, T_J = 175^\circ\text{C}$	5	200	μA
Junction Capacitance	C_T	$V_R = 0\text{V}, f = 1\text{MHz}, T_J = 25^\circ\text{C}$,	2581	-	pF
Reverse Recovery Charge	Q_c	$V_R = 800\text{V}, T_J = 25^\circ\text{C}$	152	-	nC
Capacitance Stored Energy	E_c	$V_R = 800\text{V}, T_J = 25^\circ\text{C}$	44	-	μJ

* Pulse width < 300 μs , duty cycle < 2%

Technical Data
Data Sheet N2667, REV.-



Thermal-Mechanical Specifications:

Characteristics	Symbol	S4D30120A	S4D30120F	Units
Junction Temperature	T_J	-55 to +175		°C
Storage Temperature	T_{stg}	-55 to +175		°C
Typical Thermal Resistance Junction to Case	$R_{\theta JC}$	0.3	2	°C/W

Ordering Information

Device	Package	Shipping
S4D30120A	TO-220AC(TO-220-2)	50pcs / tube
S4D30120F	ITO-220AC(TO-220MF-2L)	50pcs / tube

Ratings and Characteristics Curves

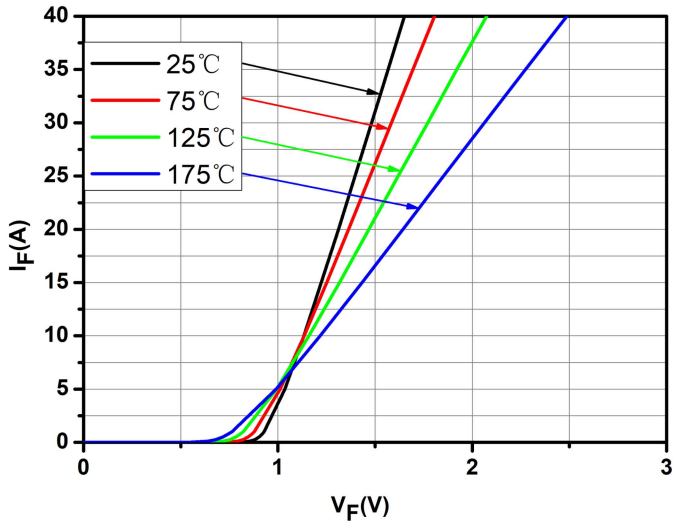


Fig.1-Typical Forward Voltage Characteristics

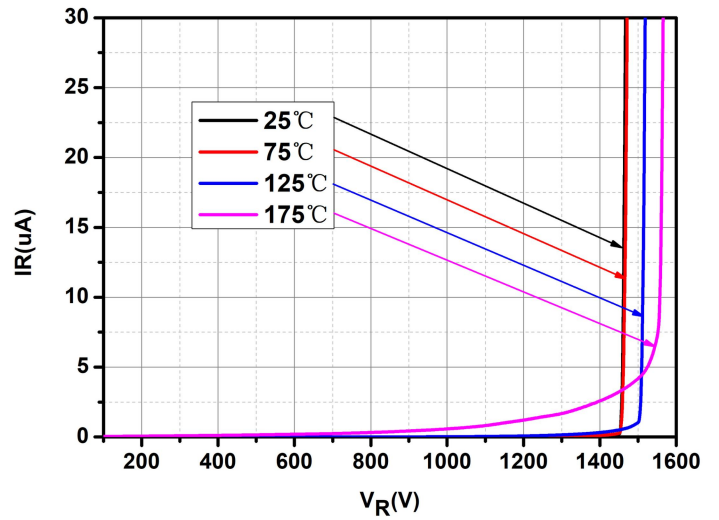


Fig.2-Typical Reverse Characteristics

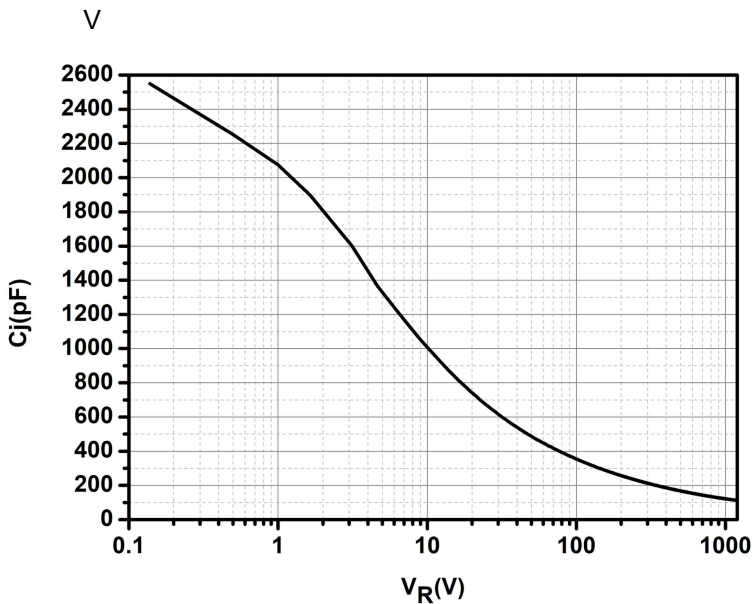


Fig.3-Capacitance vs. Reverse Voltage

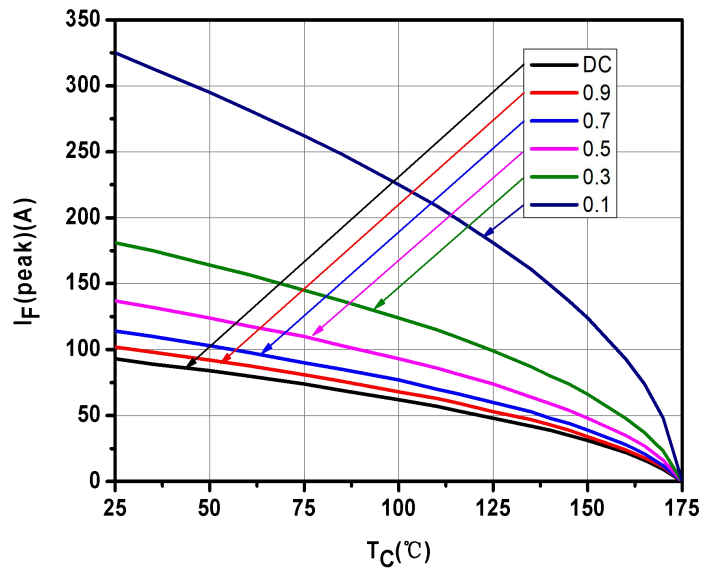


Fig.4-Current Derating

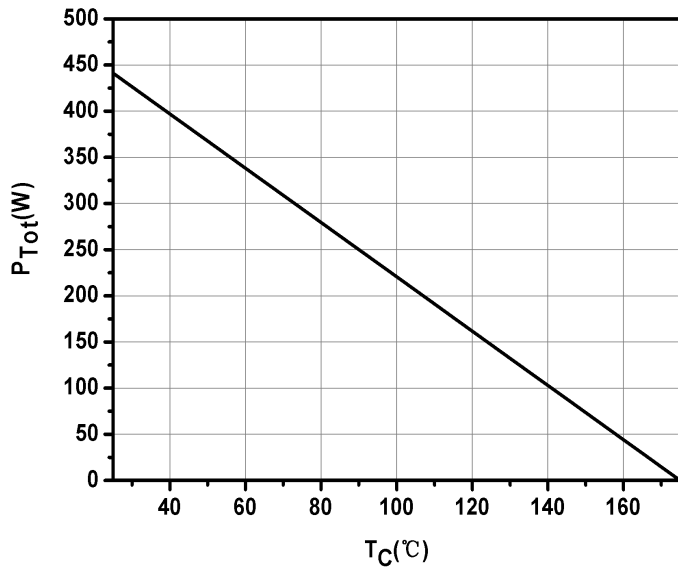


Fig.5-Power Derating

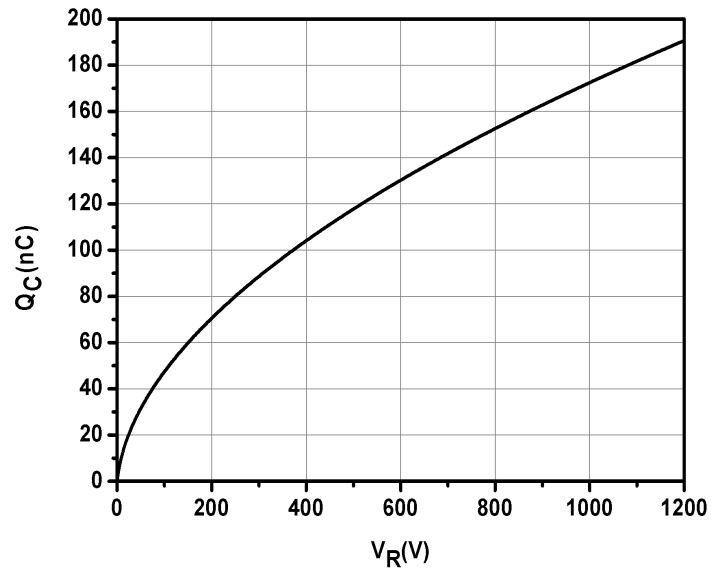


Fig.6-Total Capacitance Charge vs. Reverse Voltage

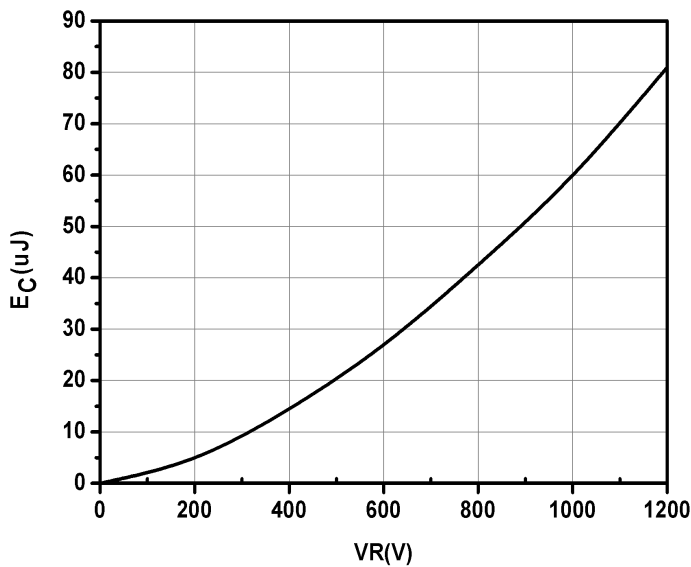
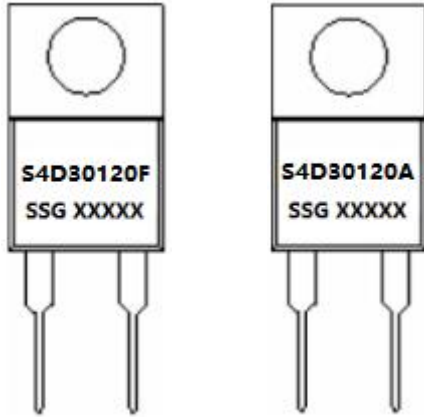


Fig.7-Capacitance Stored Energy

Marking Diagram

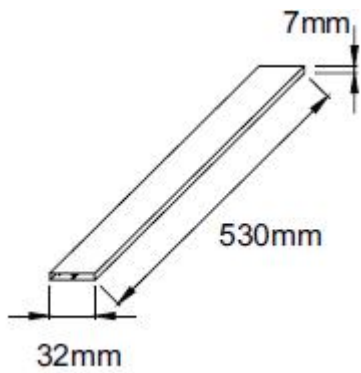


Where XXXXX is YYWWL

S4D = Device Type
A/F = Package type
30 = Forward Current (30A)
120 = Reverse Voltage (1200V)
SSG = SSG
YY = Year
WW = Week
L = Lot Number

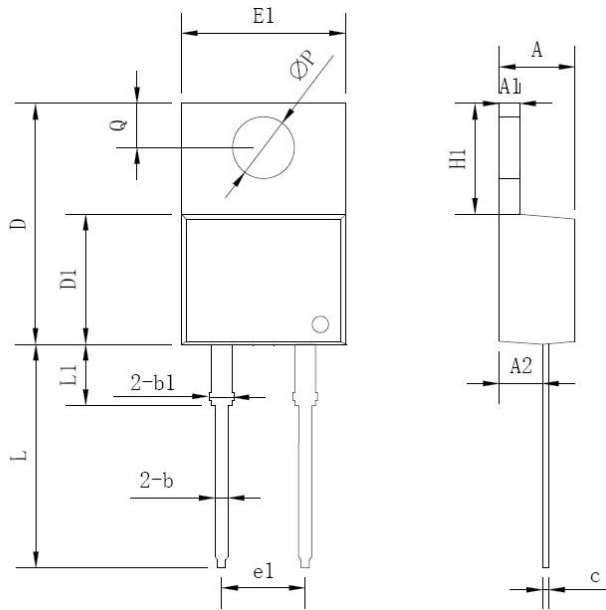
Cautions: Molding resin
Epoxy resin UL:94V-0

Tube Specification(TO-220-2)



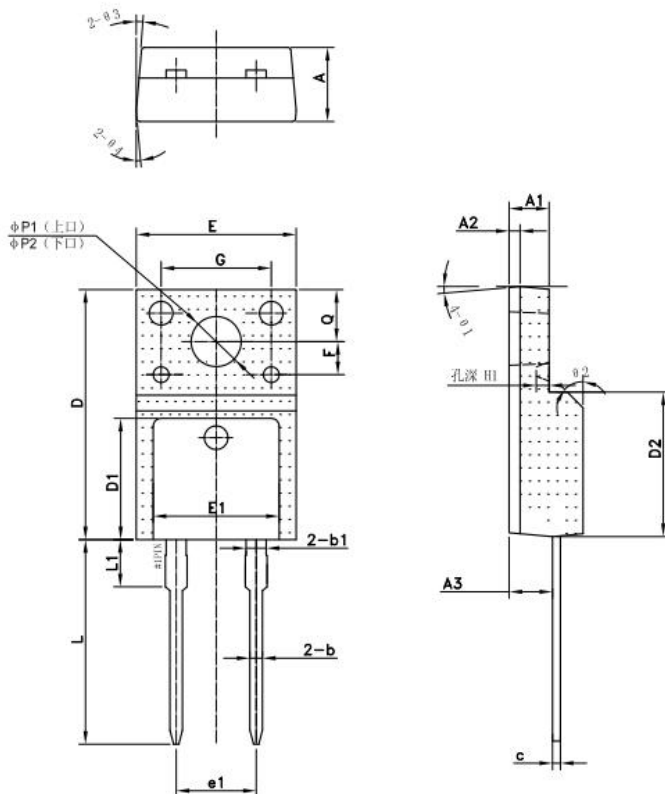
(TO-220-2/TO-220-F2)

Mechanical Dimensions TO-220AC(TO-220-2)



Symbol	Dimensions in millimeters		
	Min.	Typical	Max.
A	3.56	-	4.83
A1	0.51	-	1.40
A2	2.03	-	2.92
b	0.38	-	1.02
b1	1.14	-	1.78
c	0.31	-	0.61
D	14.22	-	16.51
D1	8.38	-	9.42
E1	9.65	10.16	10.67
e1	-	5.08	-
H1	5.84	-	6.86
L	12.70	-	14.73
L1	-	-	6.35
ΦP	-	3.56	-
Q	2.54	-	3.43

Mechanical Dimensions ITO-220AC(TO-220MF-2L)



Symbol	Dimensions in millimeters		
	Min.	Typical	Max.
A	4.50	4.70	4.90
A1	2.34	2.54	2.74
A2		0.70	
A3	2.56	2.76	2.96
b	0.70	0.80	0.95
b1		1.28	
c	0.45	0.50	0.65
D	15.67	15.87	16.07
D1		7.70	
D2		9.12	
E	9.96	10.16	10.36
E1		8.00	
e1		5.08	
F		2.1	
G		7	
H1		0.81	
L	12.48	12.98	13.20
L1		2.93	
4>P1 (上口)	2.98	3.18	3.38
4>P2 (下口)	3.20	3.40	3.60
Q	3.10	3.30	3.50
e 1		5°	
02		45°	
03		5°	
e 4		5°	



DISCLAIMER:

- 1- The information given herein, including the specifications and dimensions, is subject to change without prior notice to improve product characteristics. Before ordering, purchasers are advised to contact the SMC Diode Solutions sales department for the latest version of the datasheet(s).
- 2- In cases where extremely high reliability is required (such as use in nuclear power control, aerospace and aviation, traffic equipment, medical equipment, and safety equipment), safety should be ensured by using semiconductor devices that feature assured safety or by means of users' fail-safe precautions or other arrangement.
- 3- In no event shall SMC Diode Solutions be liable for any damages that may result from an accident or any other cause during operation of the user's units according to the datasheet(s). SMC Diode Solution assumes no responsibility for any intellectual property claims or any other problems that may result from applications of information, products or circuits described in the datasheets.
- 4- In no event shall SMC Diode Solutions be liable for any failure in a semiconductor device or any secondary damage resulting from use at a value exceeding the absolute maximum rating.
- 5- No license is granted by the datasheet(s) under any patents or other rights of any third party or SMC Diode Solutions.
- 6- The datasheet(s) may not be reproduced or duplicated, in any form, in whole or part, without the expressed written permission of SMC Diode Solutions.
- 7- The products (technologies) described in the datasheet(s) are not to be provided to any party whose purpose in their application will hinder maintenance of international peace and safety nor are they to be applied to that purpose by their direct purchasers or any third party. When exporting these products (technologies), the necessary procedures are to be taken in accordance with related laws and regulations.